

# 12x12mm tactile switches

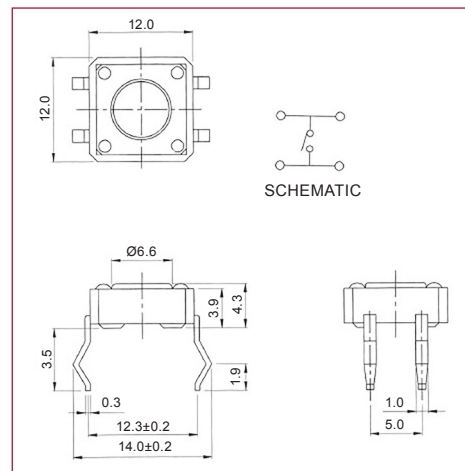
## Product overview

- Advanced switch technology
- Positive tactile action
- Tamper proof application
- Flow solder wash-away cleaning
- Through-hole PCB and surface mount terminals
- Square and round button styles
- Can be supplied taped for auto-insertion, add suffix /T

| SPECIFICATION       |   |  |
|---------------------|---|--|
| Rating              | 50mA/12VDC                              |  |
| Contact resistance  | 100mΩ max                               |  |
| Insulation strength | 100MΩ min/500VDC                        |  |
| Electrical life     | 100,000 operations min                  |  |
| Temperature range   | -10°C to +60°C                          |  |
| Operating force     | 180GF ± 50GF                            |  |
| Material            | Case<br>Button<br>Contacts<br>Terminals | Nylon<br>Nylon<br>Stainless steel silver plated<br>Brass silver plated |

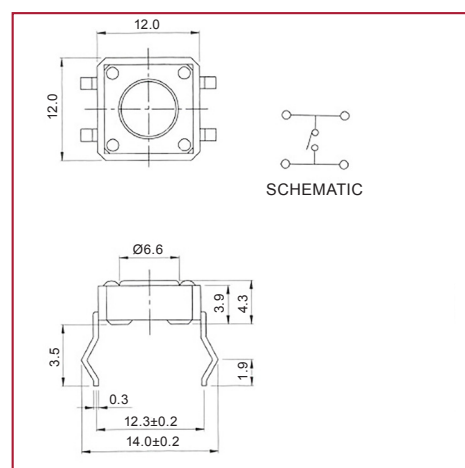
## Through-hole PCB terminals

| PART NO.  | BUTTON HEIGHT FROM BASE |
|-----------|-------------------------|
| CST12S0AT | 7.3mm                   |
| CST12S43T | 4.3mm                   |



## Surface mount terminals

| PART NO.  | BUTTON HEIGHT FROM BASE |
|-----------|-------------------------|
| CST12S0AS | 7.3mm                   |
| CST12S43S | 4.3mm                   |



## KEY FEATURES

12 x 12mm | Surface mount or through hole options | Two button height options